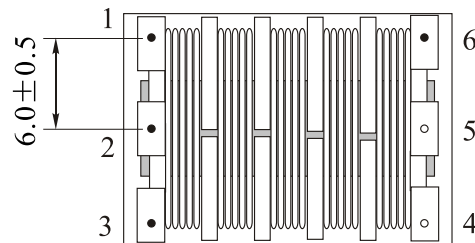
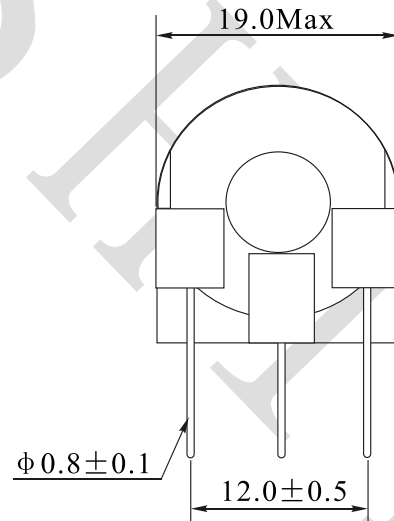
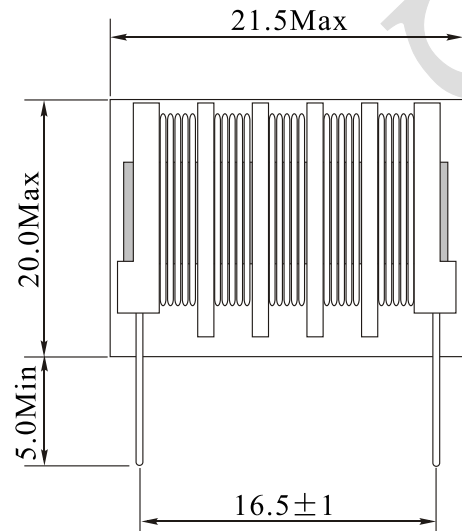
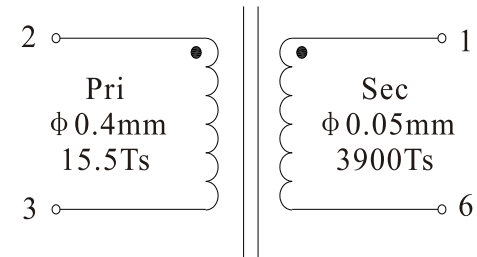


Rev.	Description	Date
A0	New release	2020.08.26

1. PHYSICAL CHARACTERISTICS (mm)



2. ELECTRONICAL SCHEMATIC



3. ELECTRONICAL SPECIFICATIONS

Inductance: Pin2-3: $8\mu\text{H} \pm 20\%$ @1KHz,1V

Pin1-6: $375\text{mH} \pm 20\%$ @1KHz,1V

DCR: Pin2-3: $120\text{m}\Omega$ Max

Pin1-6: $1.5\text{K}\Omega$ Max

Turns ratio: Sec: Pri = 251.6:1

Hi-Pot: 3KVac, 5mA, 1min Pri to Sec

NOTES:

Temp 20°C 48%RH

RoHS Compliant

NEME:	Pulse transformer		
CUSTOMER P/N:		DATE:	2020-08-26
SHINHOM P/N:	HT0615-251	REV: A0	PAGE
DRAWN BY	CHECKED BY	APPROVE BY	