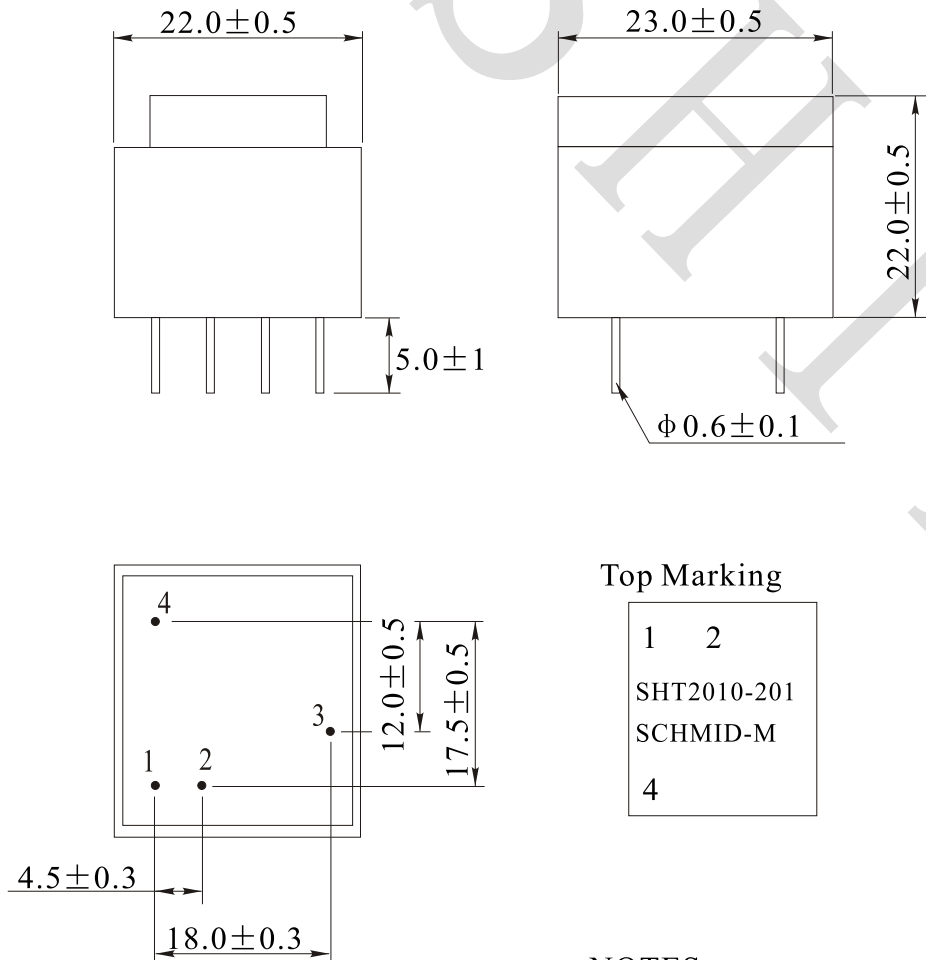
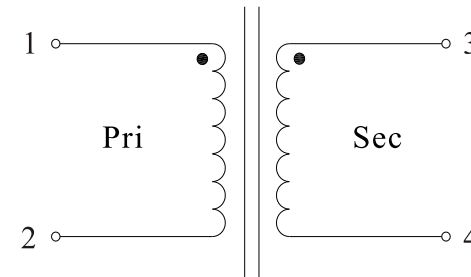


Rev.	Description	Date
A0	New release	2018.07.11

1. PHYSICAL CHARACTERISTICS (mm)



2. ELECTRONICAL SCHEMATIC



3. ELECTRONICAL SPECIFICATIONS

- Turns ratio: 1:200
- Pri voltage: 10~200V
- Sec voltage: 22kV Min
- Pri DCR: $26\text{m}\Omega \pm 15\%$
- Sec DCR: $520\Omega \pm 15\%$
- Pri inductance: $6\mu\text{H} \pm 15\% @ 100\text{Hz}, 0.3\text{V}$
- Sec inductance: $240\text{mH} \pm 15\% @ 100\text{Hz}, 0.3\text{V}$
- Output power: 1W
- Noload work time: 30S
- Operating temperature: 0°C to $+80^\circ\text{C}$

NOTES:

Temp 20°C 48%RH
RoHS Compliant

NAME:	High voltage transformers		
CUSTOMER P/N:		DATE:	2018-07-11
SHINHOM P/N:	HT2010-201	REV: A0	PAGE
DRAWN BY	CHECKED BY	APPROVE BY	



SHINHOM
SHAANXISHINHOM ENTERPRISE CO LTD

The Document property belong to SHINHOM & is not allowed to be duplicated without authorization