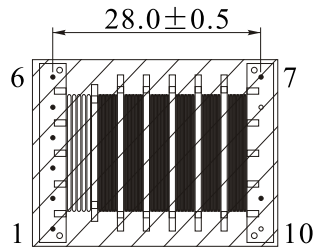
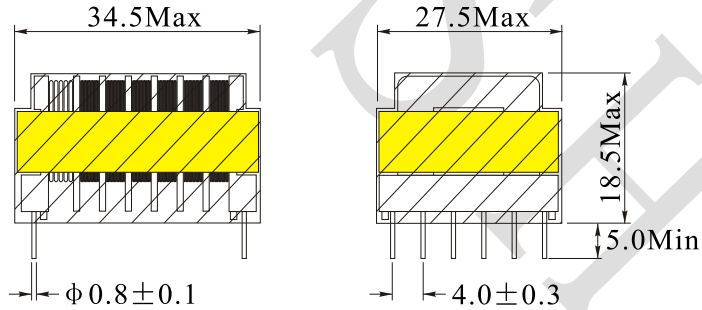


Rev.	Description	Date
A0	New release	2022.05.17

1. PHYSICAL CHARACTERISTICS (mm)



Bottom view

Cut off pin8,10

3. ELECTRONICAL SPECIFICATIONS

Inductance(4-2): $99\mu\text{H} \pm 20\%$ @1KHz,0.1V

DCR(4-2): $0.15\ \Omega \pm 20\%$

Inductance(9-7): $365\text{mH} \pm 17\%$ @1KHz,0.1V

DCR(9-7): $191\ \Omega \pm 20\%$

Test Instrument:

L: HP4284A

RDC: HM2540

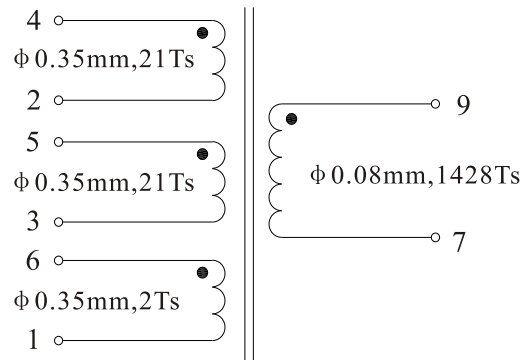
Note:

1. Solderability: leads shall meet MIL-STD-202, Method 208D for solderability.

2. Flammability: UL94V-0

3. ASTM oxygen index: >28%

2. ELECTRONICAL SCHEMATIC



NAME:	High voltage transformer		
CUSTOMER P/N:	EEH2513	DATE:	2022-05-17
SHINHOM P/N:	HT25L-1482-44	REV: A0	PAGE
DRAWN BY	CHECKED BY	APPROVE BY	



SHINHOM
SHAANXISHINHOM ENTERPRISE CO LTD

The Document property belong to SHINHOM & is not allowed to be duplicated without authorization