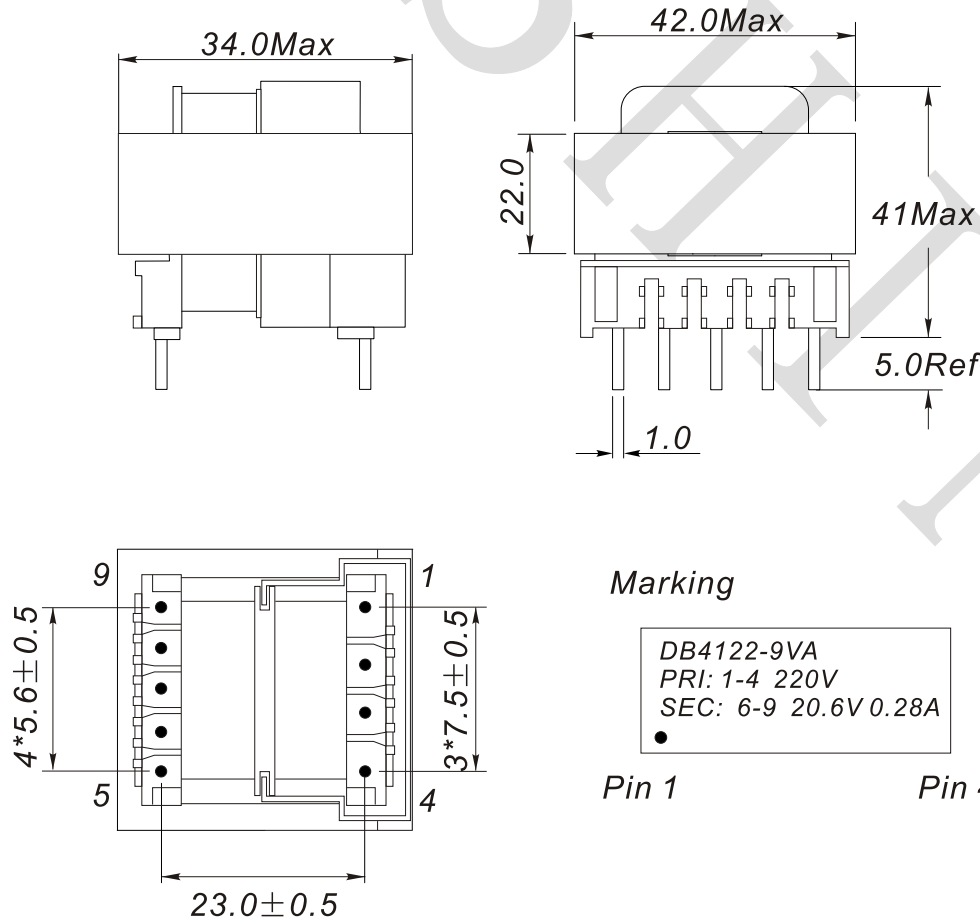
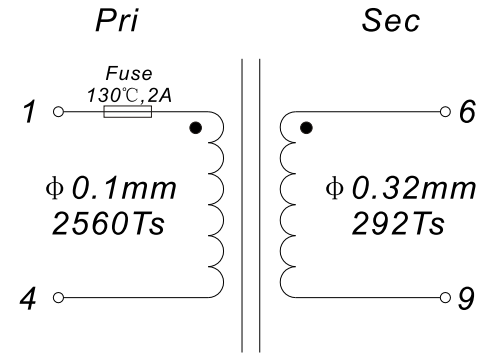




1. PHYSICAL CHARACTERISTICS (mm)



2. ELECTRONICAL SCHEMATIC



3. ELECTRONICAL SPECIFICATIONS

- Unload current: 15mA
- Rated voltage: Pin6-9: 20.4~21V@0.28A
- Power: 9VA
- Hi-Pot: 2KVAC, 3S, 5mA Pri to Sec
2KVAC, 3S, 5mA Pri to Core
1.0KVAC, 3S, 5mA Sec to Core

Marking

DB4122-9VA
PRI: 1-4 220V
SEC: 6-9 20.6V 0.28A

Pin 1

Pin 4

NOTES:

Temp 20°C 48%RH
RoHS Compliant

NAME:	Power Transformer		
CUSTOMER P/N:		DATE:	2013-07-18
SHINHOM P/N:	LPT4122-9W-21V	REV:	A0 PAGE
DRAWN BY	CHECKED BY	APPROVE BY	



SHINHOM

SHAANXISHINHOM ENTERPRISE CO LTD

The Document property belong to SHINHOM & is not allowed to be duplicated without authorization