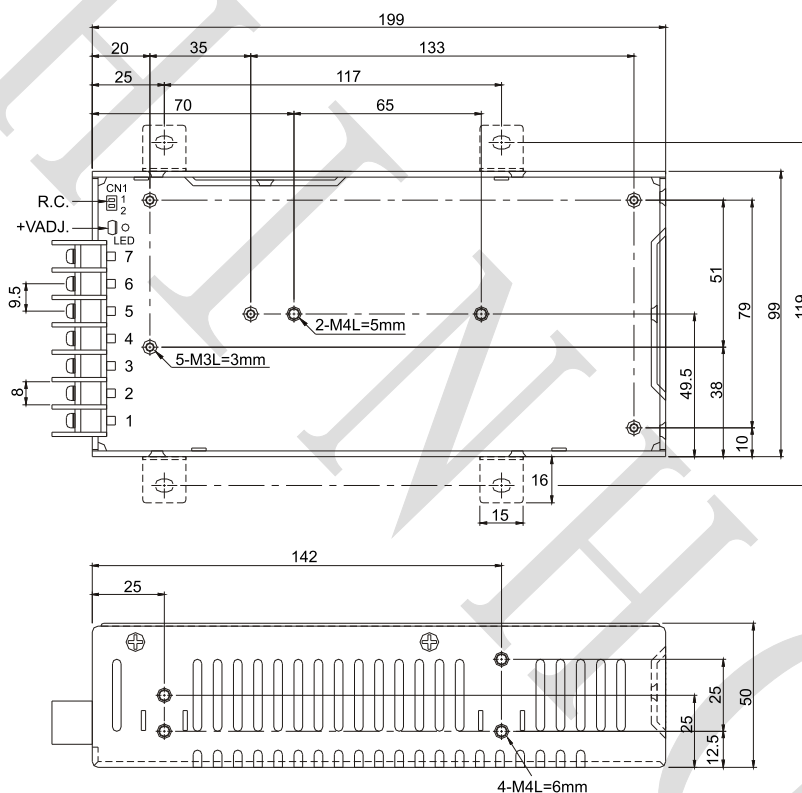


PART NO:P150W-12V



- \* LOW COST, HIGH RELIABILITY
- \* 100% FULL LOAD BURN IN TEST
- \* OVERLOAD PROTECTION
- \* CONTINUOUS SHORT CIRCUIT PROTECTION
- \* NO MINIMUM LOAD REQUIRED
- \* HIGH EFFICIENCY,LOW WORKING TEMPERAT URE

### Mechanical Specification(Unit:mm)



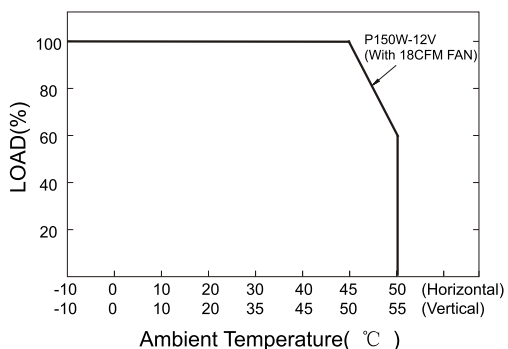
Terminal pin number assignment

PIN No.	Assignment	PIN No.	Assignment
1	AC/L	4,5	DC OUTPUT-V
2	AC/N	6,7	DC OUTPUT+V
3	FG ±		

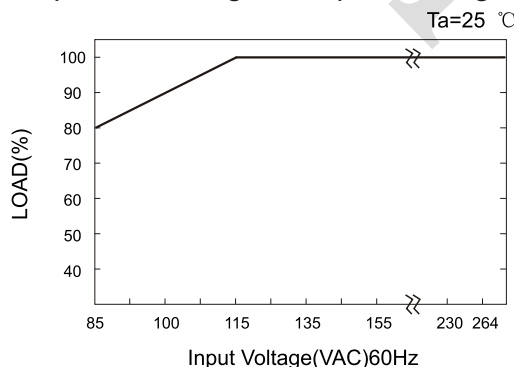
Remote ON/OFF(CN1):JST S2B-XH or equivalent(optional)

PIN No.	Assignment	Mating Housing	Terminal
1	RC +	JST XHP or equivalent	JST SXH-001T-P0.6 or equivalent
2	RC -		

### Derating Curve



### Output Derating VS Input Voltage





# SHAANXISHINHOM ENTERPRISE CO.,LTD

## 150W Single Output Switch Power

**SPECIFICATION** All specification are typical at nominal input , full load at 25°C unless otherwise stated

INPUT	VOLTAGE/CURRENT	110/230V AC	
	FREQUENCY	47~63Hz	
	EFFICIENCY	>82% typ	
	INRUSH CURRENT	<30A@220Vac	
	LEAKAGE CURRENT	<0.5mA/220VAC	
OUTPUT	VOLTAGE	CH1 +12V	
	CURRENT	12.5	
	LINE REGULATION	< ±1.0%	
	LOAD REGULATION	< ±1.0%	
	RIPPLE 0~20MHz	<50mV	
	TEMPERATURE COEFFICIENT	< ±0.03%/°C	
	OUTPUT VOLTAGE ADDITION	10.5V~14.2V	
	START-UP TIME	<2.0 S at 120Vac input/<1.0 S at 230Vac input	
	HOLD-UP TIME	> 20 mS at 120Vac input/> 20 mS at 230Vac input	
	POWER	150W typ	
	PROTECTION FUNCTION	O.C.P	120%~180%
		O.V.P.	—
ISOLATION	INPUT-OUTPUT	1.5KVAC/min, Cutoff current<5mA	
	INPUT-FG	1.5KVAC/min, Cutoff current<5mA	
	OUTPUT-FG	0.5KVAC/min, Cutoff current<5mA	
ISOLATION RESISTANCE	INPUT-OUTPUT	≥50MΩ ,500VDC	
	INPUT-FG	≥50MΩ ,500VDC	
	OUTPUT-FG	≥50MΩ ,500VDC	
CONNECTION	INPUT/OUTPUT	9.5-7P	
DIMENSIONS	LENGTH×WIDTH×HEIGHT	199*98*38	
ENVIRONMENT	OPERATING TEMPERATURE	0°C ~45°C, 20%~90% RH	
	STORAGE TEMPERATURE	-25°C ~85°C, 10%~95% RH	