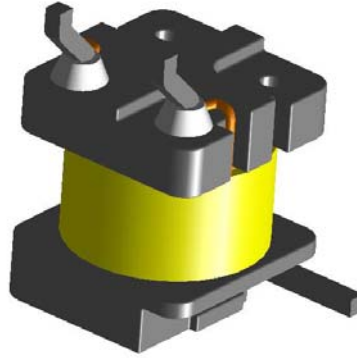
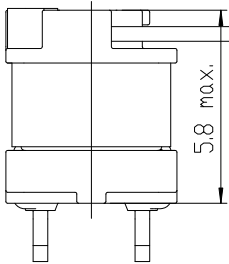


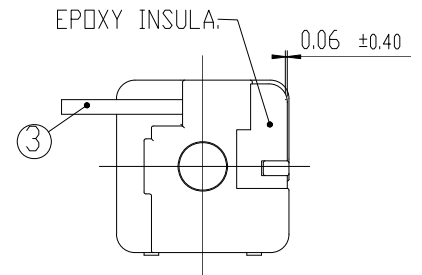
21PTR0700001

Trigger Coil For Photoflash

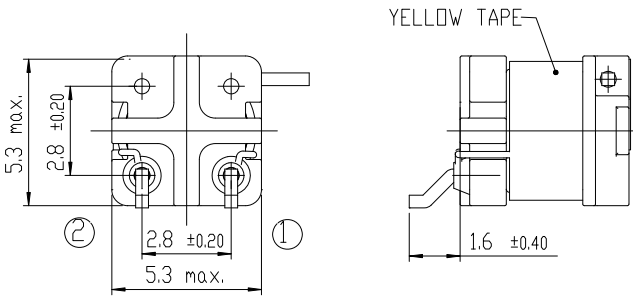
Top View



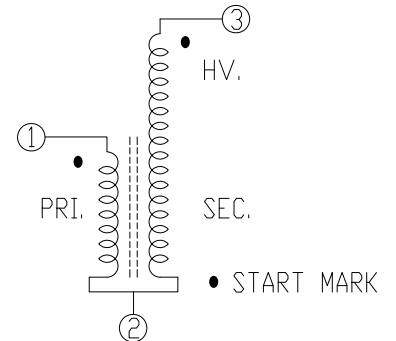
Bottom View



RoHS : Compliance



Schematic



Electrical Specifications

Measurement Under Room Temperature (1KHz/1V)

- | | | |
|--|-----------|--------------------|
| 1 Inductance | Primary | 1.2 μ Href |
| | Secondary | 2.7mHmin. |
| 2 Direct current Sesistance | Primary | 420m Ω max. |
| | Secondary | 150 Ω max. |
| 3 Input Voltage | | 230V~300V |
| 4 Output Voltage(When 230V Is Applied) | | 4.4KV \pm 15% |
- None Abnormality In The Shape of Waves And The Coil.

VOLTAGE

ELECTRIC CHARACTERISTIC

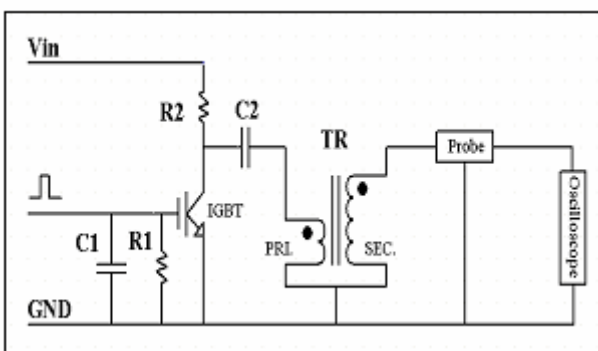
MAIN FUNCTION

MODEL

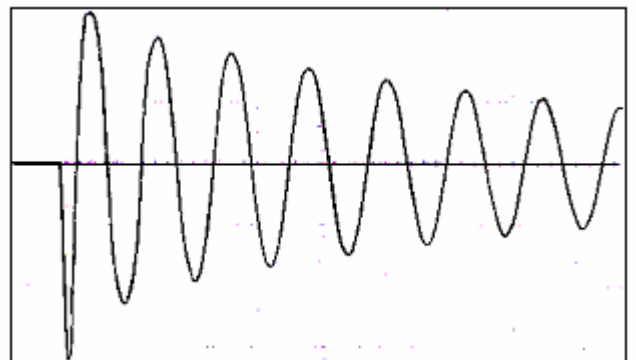
**21PTR
0700001**

| OPERATING VOLTAGE RANGE | RATED VOLTAGE | DCR (COIL 1) Ω | INDUCTANCE (P) μ H | INDUCTANCE (S) mH | START CURRENT mA | STROKE mm | TURNS RATIO | DRIVING FORCE gf | HOLDING FORCE gf | POWER OUTPUT W/KV |
|-------------------------|---------------|---|---------------------------|----------------------|---------------------|--------------|-------------|---------------------|---------------------|----------------------|
| 230V | 230V | P:420m Ω max. S:150 Ω max. | 1.2 REF | 2.7 min | / | / | 1:59 | / | / | 4.4 \pm 15%KV |

Test circuit

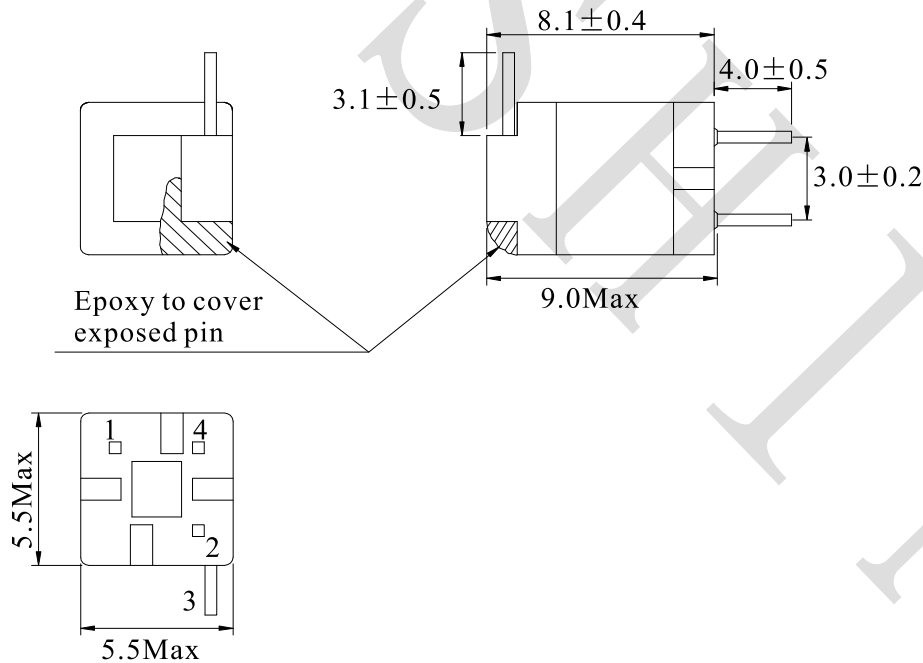


Typical Waveforms

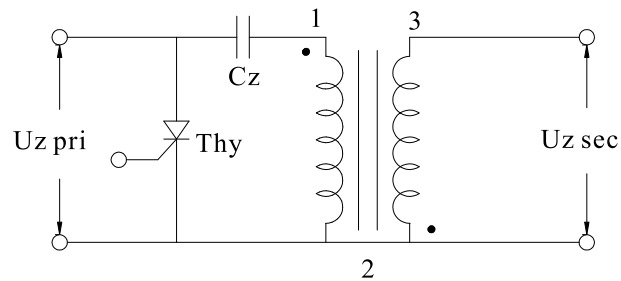


| Rev. | Description | Date |
|------|-------------|------------|
| A0 | New release | 2017.02.15 |
| | | |
| | | |

1. PHYSICAL CHARACTERISTICS (mm)



2. ELECTRONICAL SCHEMATIC



3. ELECTRONICAL SPECIFICATIONS

Pri resistance: $94 \pm 15 \text{ m}\Omega$

Pri voltage: 255V

Pri capacitance: $0.022 \mu\text{F}$

Pri inductance: $1.2 \pm 0.3 \mu\text{H}@1\text{KHz}, 0.5\text{V}$

Sec resistance: $67 \pm 10 \Omega$

Sec voltage: 4.0KV Min

Sec inductance: $1.8 \pm 0.3 \text{mH}@1\text{KHz}, 0.5\text{V}$

Operating temperature: -7°C to $+55^\circ\text{C}$

Test Instrument:

L: HP4284A

RDC: HM2540

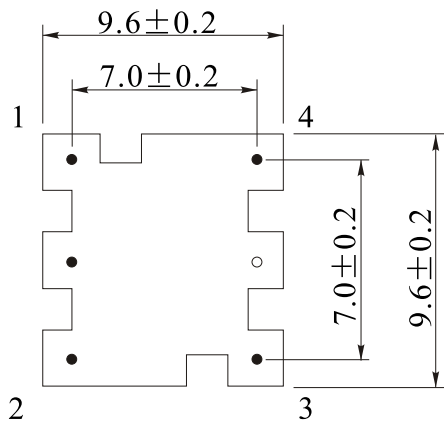
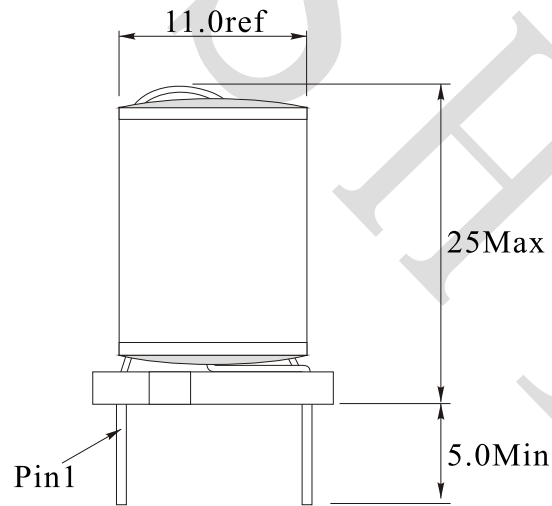
| | | | |
|---------------|--------------|------------|------------|
| NAME: | Trigger coil | | |
| CUSTOMER P/N: | | DATE: | 2017-02-15 |
| SHINHOM P/N: | TCB0609 | REV: A0 | PAGE |
| DRAWN BY | CHECKED BY | APPROVE BY | |



SHINHOM
SHAANXISHINHOM ENTERPRISE CO LTD

The Document property belong to SHINHOM & is not allowed to be duplicated without authorization

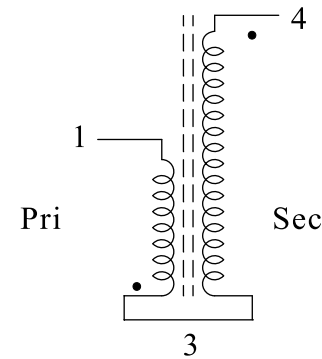
1. PHYSICAL CHARACTERISTICS (mm)



NOTES:

Temp 20°C 48%RH
RoHS Compliant

2. ELECTRONICAL SCHEMATIC



3. ELECTRONICAL SPECIFICATIONS

L: Sec: 9.0mH Min @1.0KHz,0.1V
DCR: Sec: 100Ω ±20%
Output voltage: 10KV Min@input 300V
Insulation voltage: 15KV Min

Test Instrument:

L: HP4284A
RDC: HM2540

| | | | |
|---------------|--------------|------------|------------|
| NAME: | Trigger coil | | |
| CUSTOMER P/N: | | DATE: | 2012-09-19 |
| SHINHOM P/N: | TCB1016 | REV: A0 | PAGE |
| DRAWN BY | CHECKED BY | APPROVE BY | |

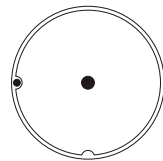
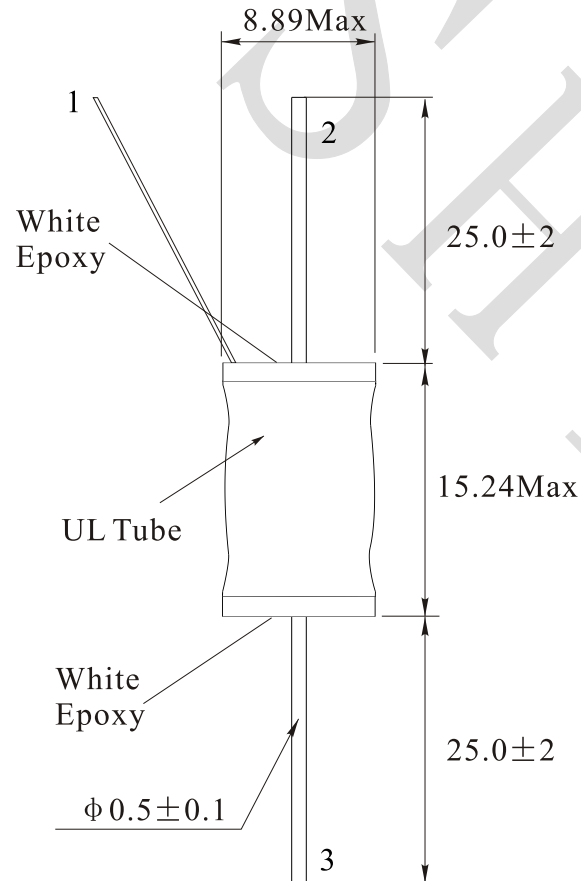


SHINHOM
SHAANXISHINHOM ENTERPRISE CO LTD

The Document property belong to SHINHOM & is not allowed to be duplicated without authorization

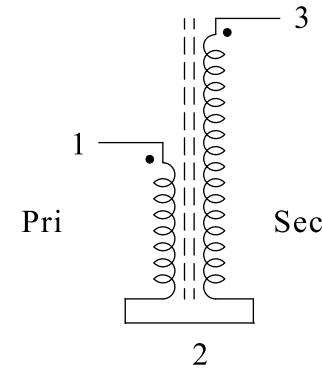
| Rev. | Description | Date |
|------|-------------|------------|
| A0 | New release | 2022.11.07 |
| | | |
| | | |

1. PHYSICAL CHARACTERISTICS(mm)



NOTES:
Temp 20°C 48%RH
RoHS Compliant

2. ELECTRONICAL SCHEMATIC



Pri: 2UEW $\phi 0.23 \text{ mm}$ 11.5Ts
Sec: USTC $\phi 0.06 \text{ mm}$ 500Ts

3. ELECTRONICAL SPECIFICATIONS

Input voltage: 300V
Output voltage: 4000V
Inductance: $2.34 \mu\text{H} \pm 20\% @ 1\text{KHz}, 0.25\text{V}$
 $2.94 \text{ mH} \pm 20\% @ 1\text{KHz}, 0.25\text{V}$
DCR: Pri: $160 \text{ m}\Omega \text{ Max}$
Sec: $115 \Omega \text{ Max}$
Core: DRWW3X12

| | | | |
|---------------|---------------------|------------|------------|
| NAME: | Trigger transformer | | |
| CUSTOMER P/N: | 422-1304 | DATE: | 2022-11-07 |
| SHINHOM P/N: | TCB3012-13 | REV: | A0 |
| DRAWN BY | CHECKED BY | APPROVE BY | |

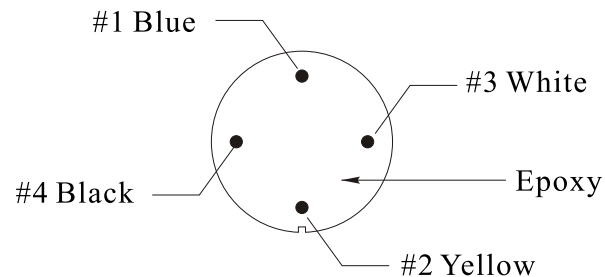
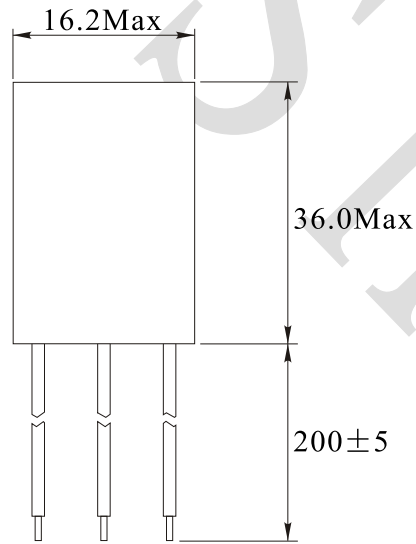


SHINHOM
SHAANXISHINHOM ENTERPRISE CO LTD

The Document property belong to SHINHOM & is not allowed to be duplicated without authorization

| Rev. | Description | Date |
|------|-------------|------------|
| A0 | New release | 2015.03.24 |
| | | |
| | | |

1. PHYSICAL CHARACTERISTICS (mm)

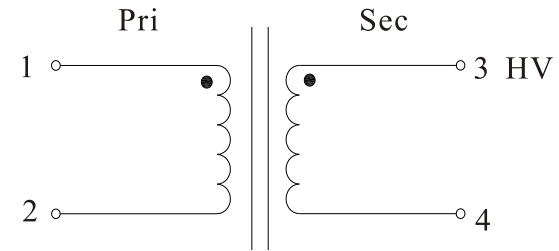


Leadwire #1(Blue) & #2(Yellow) 20AWG UL1015 600V L=200mm

Leadwire #3(White) 22AWG UL3239 30KV L=200mm

Leadwire #4(Black) 22AWG UL1015 600V L=200mm

2. ELECTRONICAL SCHEMATIC



3. ELECTRONICAL SPECIFICATIONS

Turns ratio: 1:70

L(Pri): 13uH ± 20% @ 1.0KHz, 1V

L(Sec): 49.0mH ± 20% @ 1.0KHz, 1V

DCR(Pri): 41.2mΩ ± 20%

DCR(Sec): 110Ω ± 20%

Output voltage: 16-22KV

@Input 385Vdc, Cap Ct=0.022uF

| | | | |
|---------------|--------------|------------|------------|
| NAME: | Trigger coil | | |
| CUSTOMER P/N: | | DATE: | 2015-03-24 |
| SHINHOM P/N: | TC3616 | REV: | A0 |
| DRAWN BY | CHECKED BY | APPROVE BY | |



SHINHOM

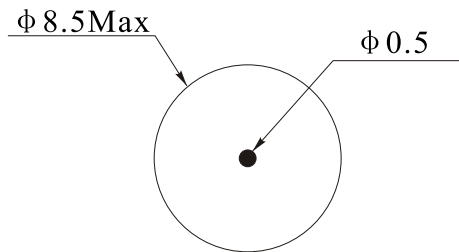
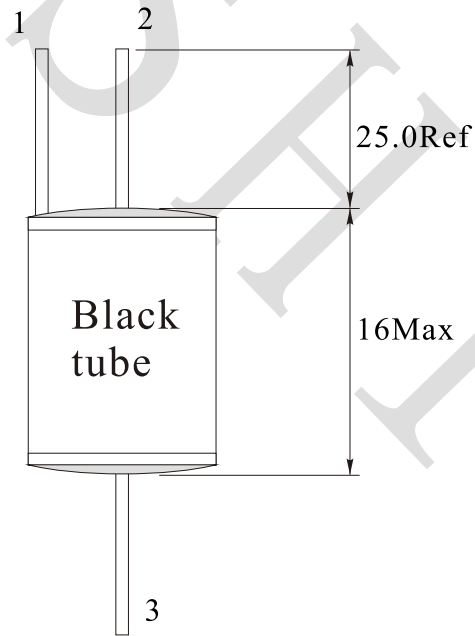
SHAANXISHINHOM ENTERPRISE CO LTD

The Document property belong to SHINHOM & is not allowed to be duplicated without authorization

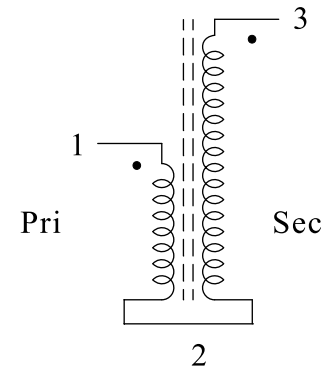
1. PHYSICAL CHARACTERISTICS (mm)

At both ends coated with epoxy

Windings are impregnated with vertical water and wax immersion is not allowed



2. ELECTRONICAL SCHEMATIC



Pri: ϕ 0.25mm 28Ts
Sec: ϕ 0.05mm 950Ts

3. ELECTRONICAL SPECIFICATIONS

L: Pri: $12.3\mu\text{H} \pm 20\%$ @1.0KHz,0.1V

Sec: $9.8\text{mH} \pm 20\%$ @1.0KHz,0.1V

DCR: Pri: $0.26\ \Omega$ Max

Sec: $130\ \Omega$ Max

Peak Output Voltage: 7.5KV Typ.@input 150VDC

Peak Output Voltage: 15KV Typ.@input 330VDC

Test Instrument:

L: HP4284A

RDC: HM2540

NOTES:

Temp 20°C 48%RH
RoHS Compliant

| | | | |
|---------------|--------------|------------|------------|
| NAME: | Trigger coil | | |
| CUSTOMER P/N: | | DATE: | 2021-09-09 |
| SHINHOM P/N: | TCB7513-1 | REV: | A0 PAGE |
| DRAWN BY | CHECKED BY | APPROVE BY | |

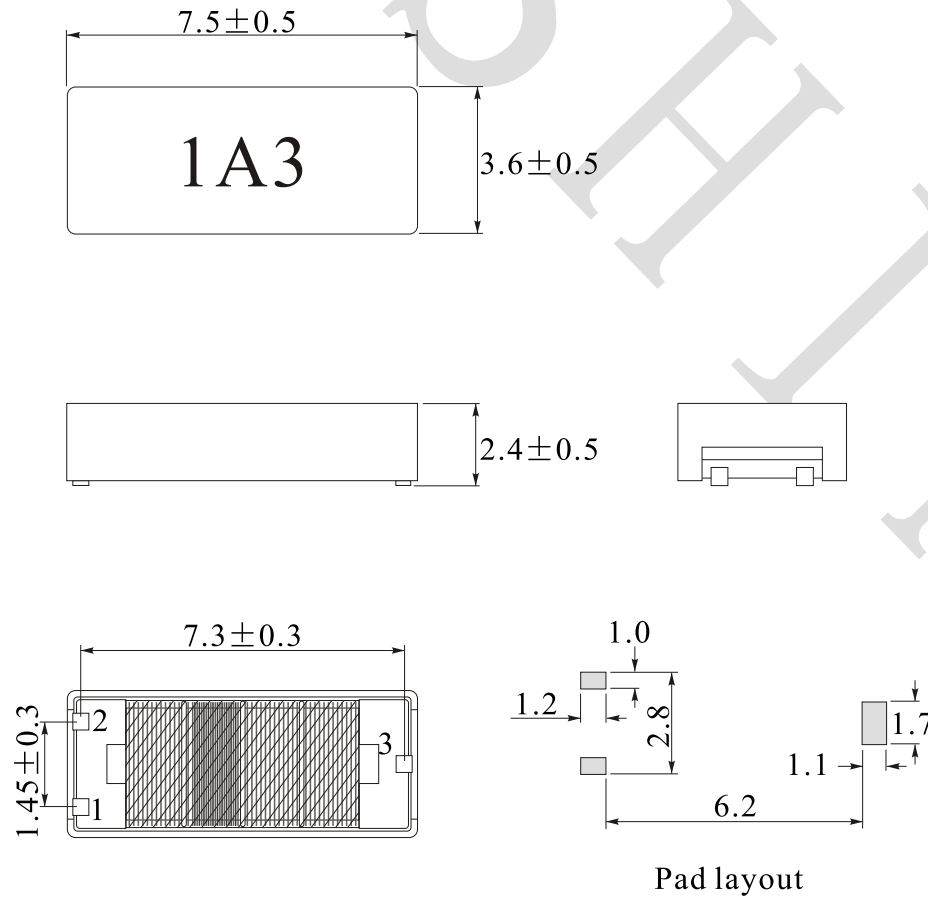


SHINHOM
SHAANXISHINHOM ENTERPRISE CO LTD

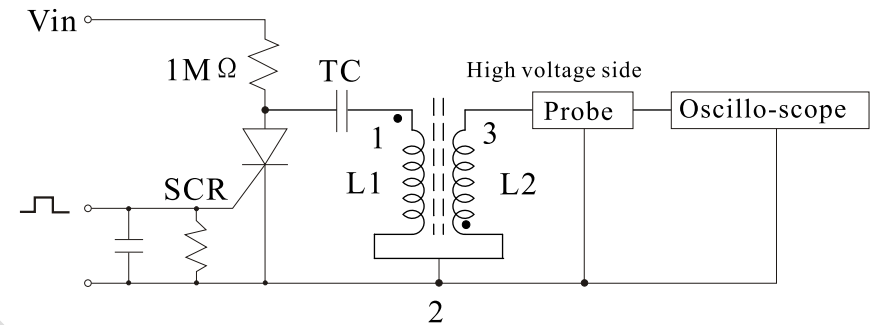
The Document property belong to SHINHOM & is not allowed to be duplicated without authorization

| Rev. | Description | Date |
|------|-------------|------------|
| A0 | New release | 2016.12.26 |
| | | |
| | | |

1. PHYSICAL CHARACTERISTICS(mm)



2. MEASURING CONDITION



3. ELECTRONICAL SPECIFICATIONS

- L(2-3): 3.2mH Ref@1.0KHz,0.1V
- L(1-2): 1.0uH Ref@1.0KHz,0.1V
- DCR(2-3): 400 Ω Max
- DCR(1-2): 1.1 Ω Max
- Output Voltage: 5.2KV ± 15% @ 300V input

Test Instrument:

L: HP4284A

RDC: HM2540

NOTES:

Temp 20°C 48%RH
RoHS Compliant

| | | | |
|---------------|--------------|------------|------------|
| NAME: | Trigger coil | | |
| CUSTOMER P/N: | | DATE: | 2016-12-26 |
| SHINHOM P/N: | TCB7524 | REV: A0 | PAGE |
| DRAWN BY | CHECKED BY | APPROVE BY | |

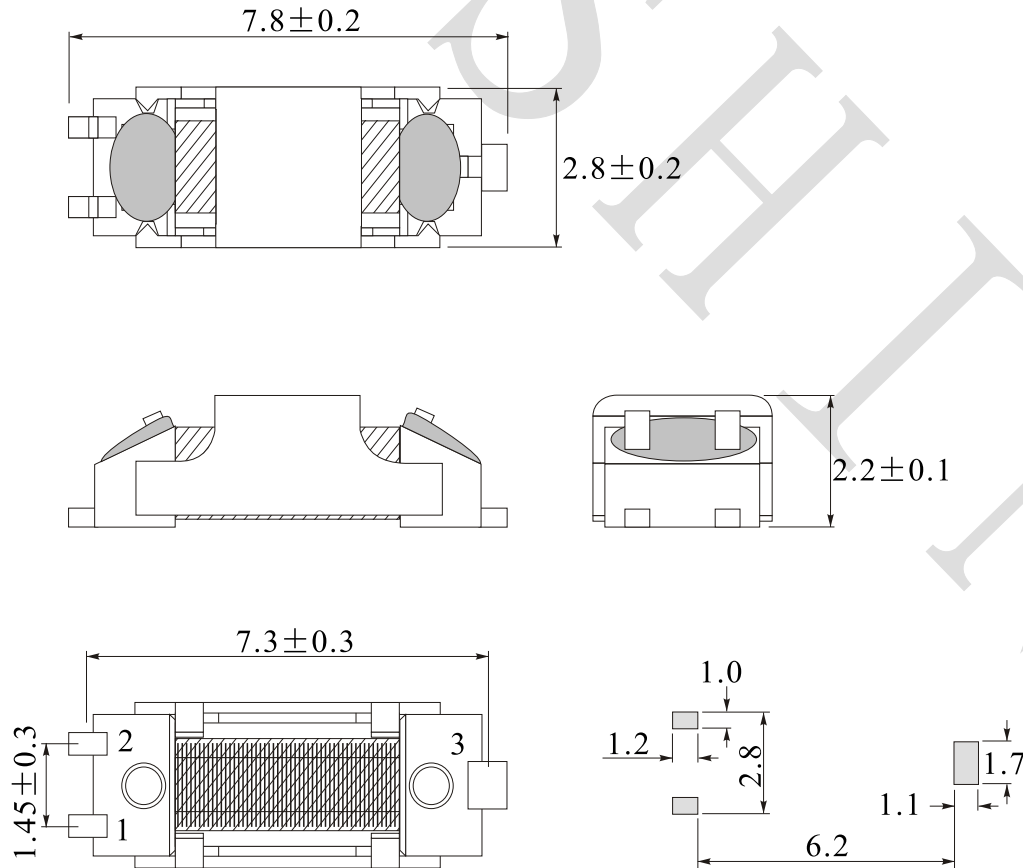


SHINHOM
SHAANXISHINHOM ENTERPRISE CO LTD

The Document property belong to SHINHOM & is not allowed to be duplicated without authorization

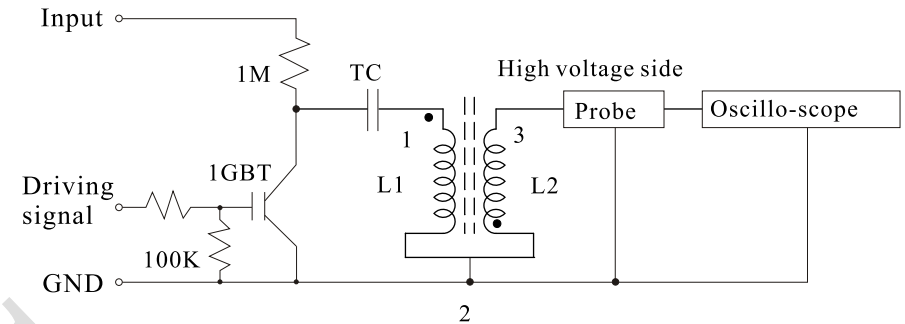
| Rev. | Description | Date |
|------|-------------|------------|
| A0 | New release | 2018.01.31 |
| | | |
| | | |

1. PHYSICAL CHARACTERISTICS (mm)



Pad layout

2. MEASURING CONDITION



3. ELECTRONICAL SPECIFICATIONS

L(2-3): 7.15mH ± 20% @ 100KHz, 1V

L(1-2): 886nH ± 20% @ 100KHz, 1V

DCR(2-3): 324 Ω ± 20%

DCR(1-2): 785m Ω ± 20%

Output Voltage: -5.2KV ± 15% @ 300V input

Test Instrument:

L: HP4284A

RDC: HM2540

NOTES:

Temp 20°C 48%RH

RoHS Compliant

| | | | |
|---------------|--------------|-------------|------------|
| NAME: | Trigger coil | | |
| CUSTOMER P/N: | | DATE: | 2018-01-31 |
| SHINHOM P/N: | TCB7822 | REV: | A0 |
| DRAWN BY: | | CHECKED BY: | |
| | | APPROVE BY: | |
| | | | PAGE |

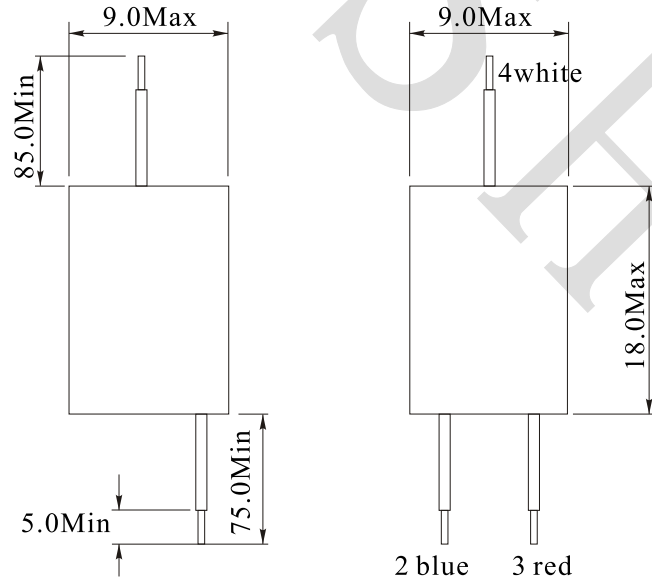


SHINHOM
SHAANXISHINHOM ENTERPRISE CO LTD

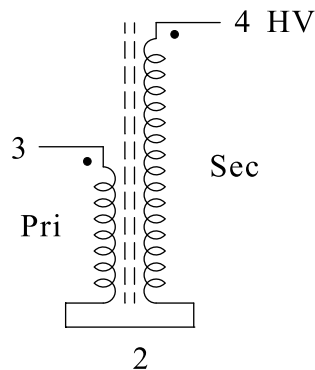
The Document property belong to SHINHOM & is not allowed to be duplicated without authorization

| Rev. | Description | Date |
|------|-------------------|------------|
| A0 | New release | 2015.01.08 |
| A1 | Wire length | 2015.06.11 |
| A2 | Input energy 20mJ | 2015.07.06 |
| | | |

1. PHYSICAL CHARACTERISTICS (mm)



2. ELECTRICAL SCHEMATIC



3. ELECTRICAL SPECIFICATIONS

| | |
|------------------------|----------------------------|
| Turns ratio: | 50:1 |
| L(3-2): | 19uH ± 10uH @ 1.0KHz, 0.1V |
| L(4-2): | 21mH ± 10uH @ 1.0KHz, 0.1V |
| DCR(3-2): | 0.29 Ω ± 15% |
| DCR(4-2): | 185 Ω ± 15% |
| Input voltage: | 400V Max |
| Output Voltage: | 20KV |
| Input energy: | 20mJ |
| Hi-Pot: | 20KV Min |
| Operating temperature: | -65°C to +150°C |

Note:

1. Solderability: leads shall meet MIL-STD-202, Method 208D for solderability.
2. Flammability: UL94V-0
3. ASTM oxygen index: >28%

| | | | |
|---------------|---------------|------------|------------|
| NAME: | Inductor coil | | |
| CUSTOMER P/N: | FTR20-1 | DATE: | 2015-07-06 |
| SHINHOM P/N: | TCB8016-LF1 | REV: A2 | PAGE |
| DRAWN BY | CHECKED BY | APPROVE BY | |



SHINHOM
SHAANXISHINHOM ENTERPRISE CO LTD

The Document property belong to SHINHOM & is not allowed to be duplicated without authorization